



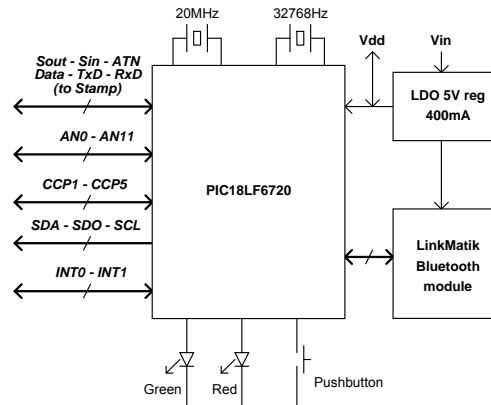
FlexiPanel

# Toothpick Stamp Edition™

Slave microcontroller with Stamp programmer, Bluetooth radio and user interface server



phone and module not to scale



## Summary

Toothpick Stamp Edition is a Stamp-controlled PIC microcontroller with Bluetooth radio, FlexiPanel user interface server and flexible I/O capability. In addition, it can wirelessly in-circuit program the BASIC Stamp from any Bluetooth-equipped PC.

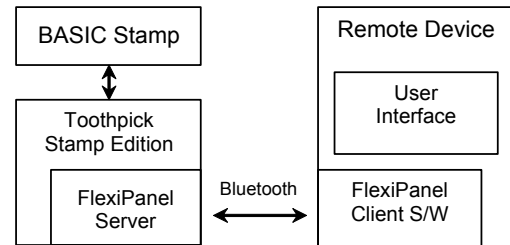
Toothpick Stamp Edition is ideal for data acquisition and remote control applications where the shallow learning curve of a BASIC Stamp allows fast time-to-market, while the Toothpick provides flexibility and sophistication needed in electronic products today.

## Hardware Features

- FCC / CE certified Class 1 Bluetooth V2.0 radio, 100m range, integral antenna
- 128Kbyte Flash, 3.5K RAM, 1K EPROM up to 512Kbyte I2C external memory
- 12 x 10-bit A to D converter
- 5 x 10-bit PWM outputs
- Serial UART connection to Stamp
- 20MHz and 32KHz oscillators
- Low dropout 400mA power regulator
- 51 x 22 mm through-hole mount, suitable for breadboards

## Firmware Features

- Wireless field programming of BASIC Stamps.
- FlexiPanel server – creates user interfaces on computers, PDAs, cellphones with no development needed on remote devices.



- Stamp commands for:
  - System & Bluetooth configuration.
  - I/O configuration.
  - Setting an output value.
  - Reading an input value.
  - Managing Bluetooth connections.
  - Sending and receiving Bluetooth data.
  - FlexiPanel User Interface Server management.
  - Sending and receiving user interface control information.
  - Reading and writing to memory locations.
  - Real time clock control.

## Parallax Ordering Information

Manufactured to ISO9001:2000



Part No	Description
30076	Toothpick Stamp Edition 28-pin Dual-in-Line package and programming cable